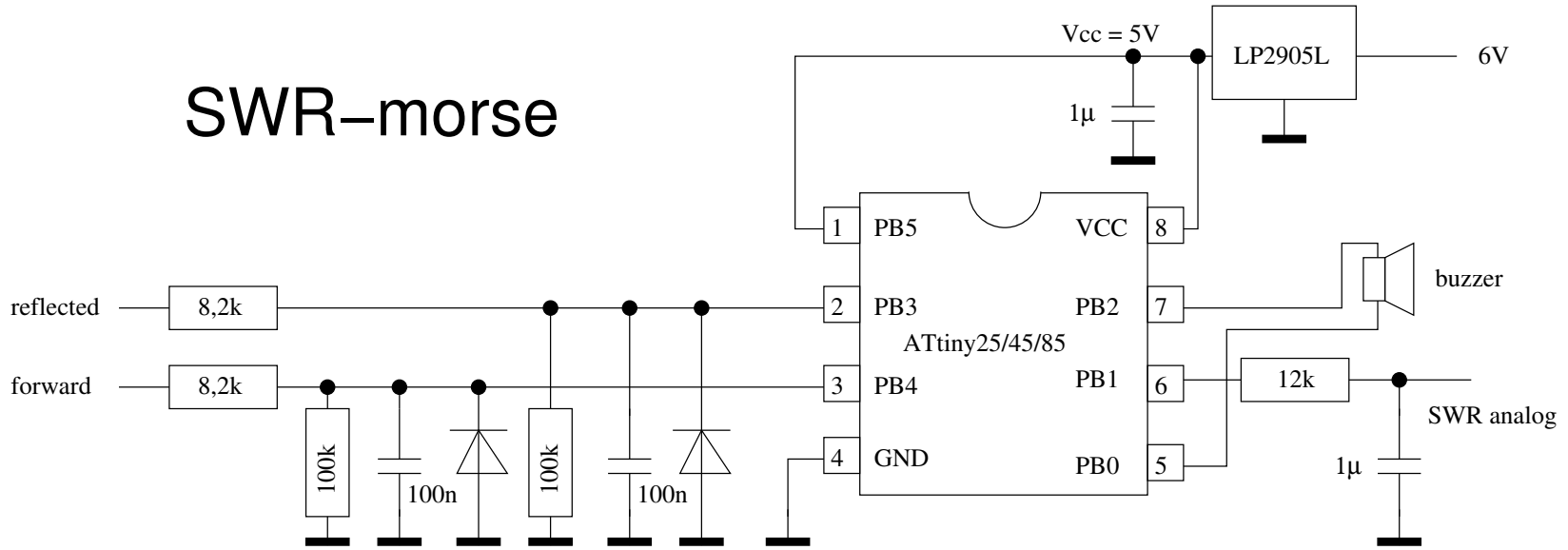


SWR-morse



The SWR is output in Morse code and as voltage between 1V and 5V.

The resistors and diodes serve only as protection against over voltage.

The inputs should be between 0 and 1.1V. Use suitable voltage divider.